

EE1000PR

INCREMENTAL ENCODER FOR SPEED CONTROL

STAD

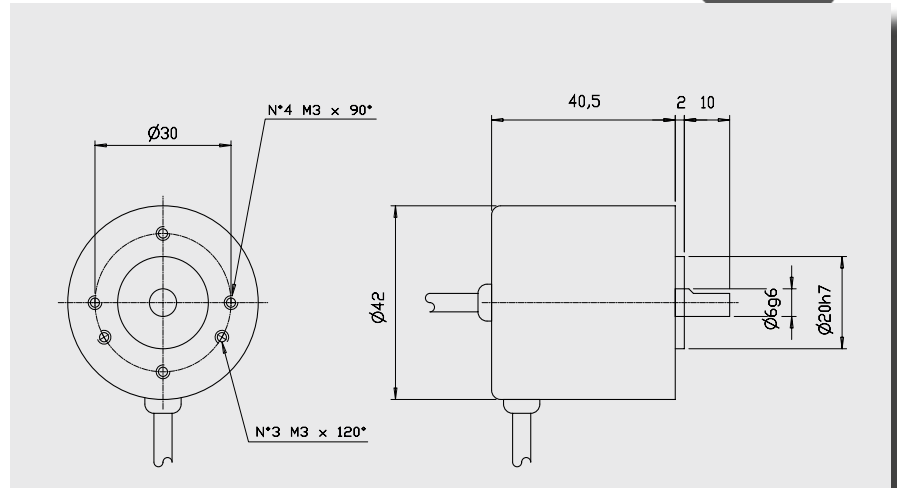


PULSES for ROUND

1000

IP PROTECTION

IP54



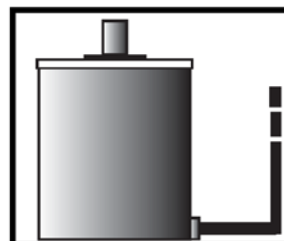
MECHANICAL DRAWING (mm)

TECHNICAL FEATURES

| | |
|---------------------------|-------------------------------------|
| Power supply | 15 ÷ 28Vdc |
| Pulses for round | 1000 |
| Shaft diameter | $\varnothing 6 g6$ |
| Protection degree EN60529 | IP54 |
| R.P.M. max | 6000 continuous |
| Shaft's max load | 5N (0.5kp) |
| Shock | 50G per 11 msec |
| Vibration | 10G 10÷2000 Hz |
| Bearing's life time | 10^9 revolution |
| Bearing | nr.2 ball bearing ABEC5 |
| Shaft material | stainless steel AISI 303 |
| Body material | aluminium UNI 6362 |
| Case material | plastic reinforced with fiber glass |
| Storage temperature | $-25^{\circ} \div +70^{\circ}C$ |
| Working temperature | $0^{\circ} \div +60^{\circ}C$ |
| Weight | 100 g |

ELECTRICAL CONNECTION

| | |
|----------------|-----------------------------------|
| Cable lenght | 5 m |
| Cable diameter | 6 mm |
| Cores | 4 x 0.22 mm ² + SHIELD |



| | |
|--------------|--------|
| SHIELD | SHIELD |
| CHANNEL A | VERDE |
| EXCITATION + | ROSSO |
| CHANNEL B | GIALLO |
| EXCITATION - | NERO |