

JUNCTION BOXES

ELECTRICAL JUNCTION BOXES FOR LOAD CELLS



J-BOX4

LOAD CELLS CONNECTED

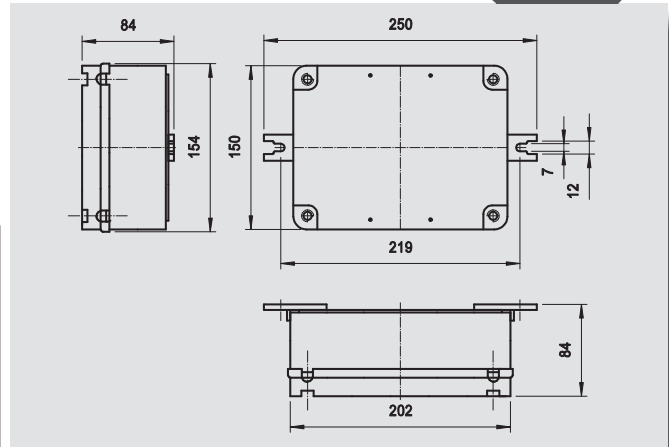
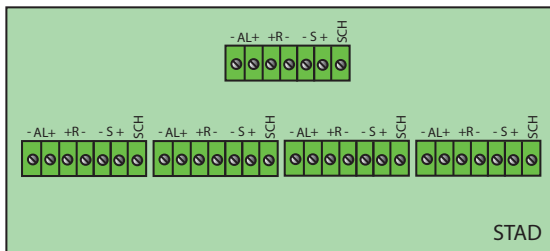
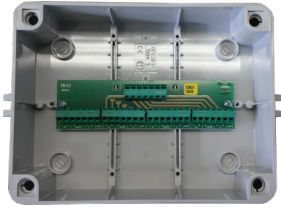
4

ENCODER CONNECTION

NO

IP PROTECTION

IP56



TECHNICAL FEATURES

MECHANICAL DRAWING (mm)

Load cells connection	Up to 4 load cells (6 wire)
Encoder connection	NO
Dimension (mm)	200 x 154 x 80(h) - Fixing L=219mm
IP protection	IP56
Case material	Polycarbonate (grey color)
Top material	Polycarbonate (grey color)

J-BOX8

LOAD CELLS CONNECTED

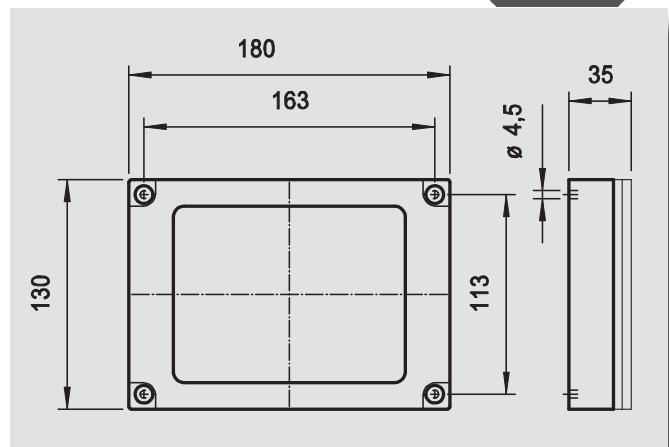
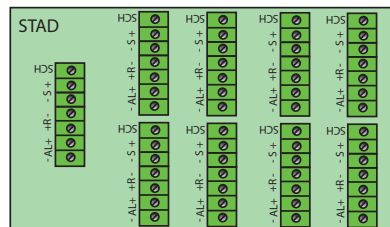
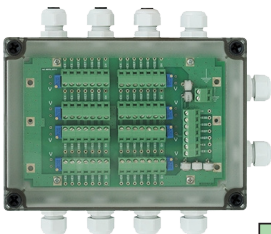
8

ENCODER CONNECTION

NO

IP PROTECTION

IP67



TECHNICAL FEATURES

MECHANICAL DRAWING (mm)

Load cells connection	Up to 8 load cells (6 wire)
Encoder connection	NO
Dimension (mm)	180 x 130 x 35(h) - Fixing 163 x 113mm
IP protection	IP67
Case material	Polycarbonate (grey color)
Top material	Polycarbonate transparent

Rev. 02 del 06/05/2016

JUNCTION BOXES

ELECTRICAL JUNCTION BOXES FOR LOAD CELLS

STAD

CE41INOX

LOAD CELLS CONNECTED

4

ENCODER CONNECTION

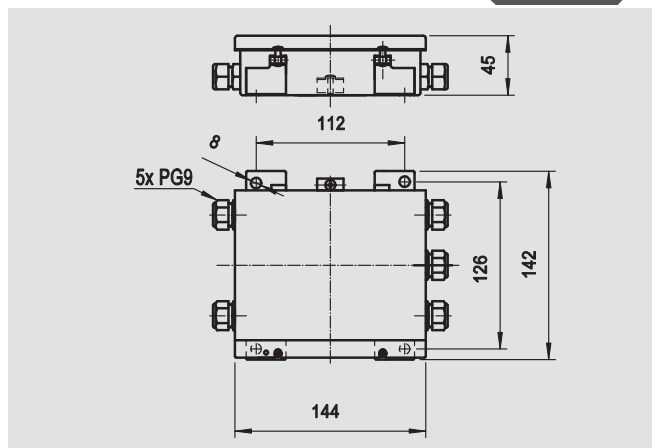
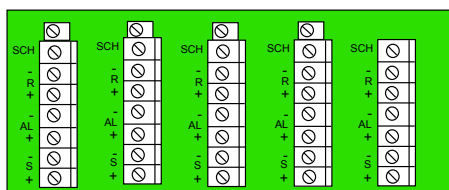
NO

INOX

Stainless Steel

IP PROTECTION

IP67



TECHNICAL FEATURES

Load cells connection	Up to 4 load cells (6 wire)
Encoder connection	NO
Dimension (mm)	142 x 144 x 45(h) - Fixing 112 x 126mm
IP protection	IP67
Case material	Stainless steel AISI 304
Top material	Stainless steel AISI 304

MECHANICAL DRAWING (mm)

CE41ATEX

LOAD CELLS CONNECTED

4

ENCODER CONNECTION

NO

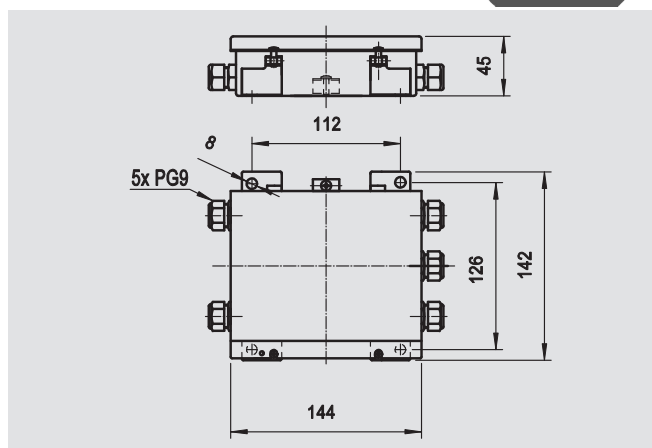
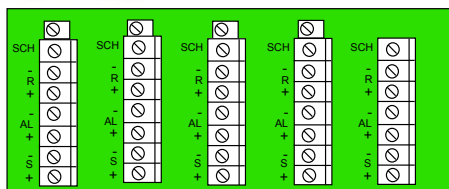


IP PROTECTION

IP67



Certificato ATEX II 1GD
(zone 0-1-2-20-21-22)



TECHNICAL FEATURES

Load cells connection	Up to 4 load cells (6 wire)
Encoder connection	NO
Dimension (mm)	142 x 144 x 45(h) - Fixing 112 x 126mm
IP protection	IP67
Case material	Stainless steel AISI 304
Top material	Stainless steel AISI 304

MECHANICAL DRAWING (mm)