

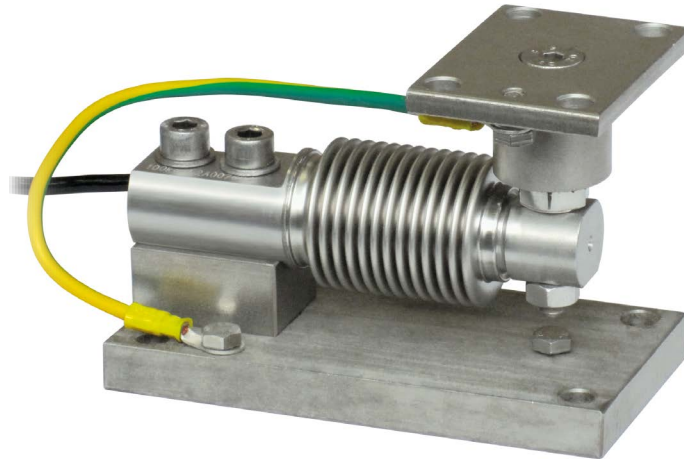
# STFC-GP

MOUNTING KIT for BENDING BEAM load cells

# STAD

Series load cells: **SFCK - SFCOL**

Application range from 5 to 500 kg



MAX STATIC LOAD kg	FOR LOAD CELLS	NET WEIGHT OF MOUNTING KIT (kg)	CODE
<b>500</b>	SFCK - SFCOL	1.3	STFCGP

*Load cell not included.*

## DESCRIPTION

- Upper plate with a compression joint in AISI 304 stainless steel and rubber.
- Lower plate and block in AISI 304 stainless steel.
- Misalignment compensation of the support plates structure.
- Adjustable height.
- Locking screw to avoid damage during transport and installation.

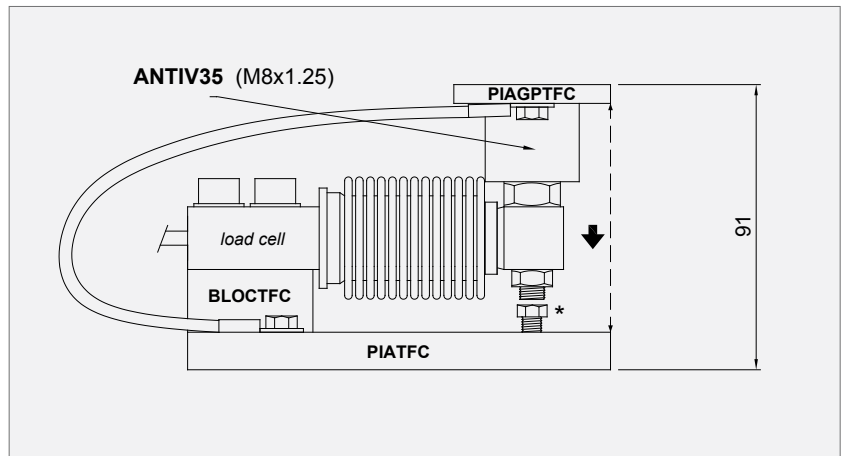
# STFC-GP

## MOUNTING KIT for BENDING BEAM load cells

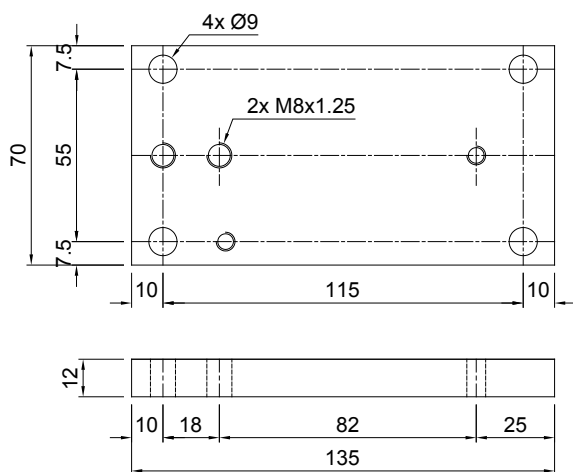


### DIMENSIONS AND TECHNICAL SPECIFICATIONS

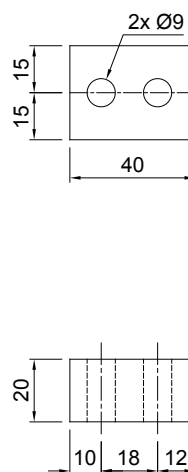
- During the transport and installation the lock (\*) must touch under the load cell. After installation, move the lock away from the load cell.
- Interconnect the lower plates to the earthing.
- In case of structure with four-point support, if one-point does not touch the compression joint, you must proceed to insert a shim before fixing the bolts.



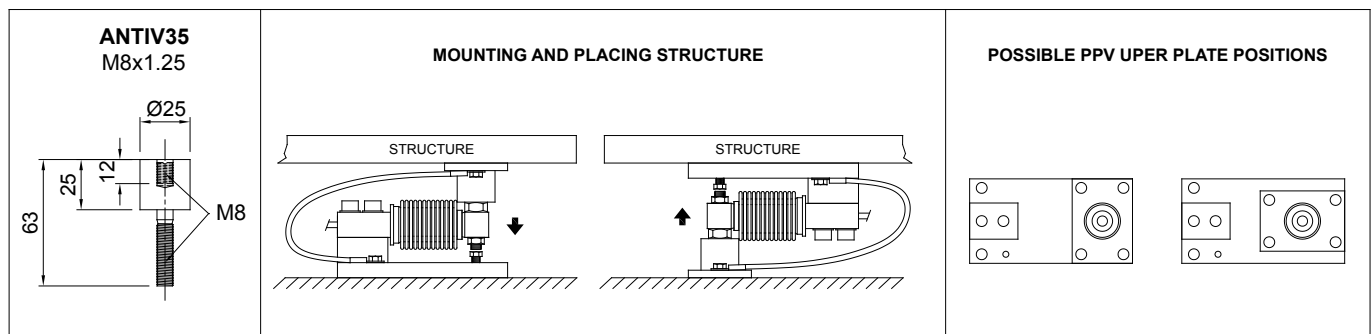
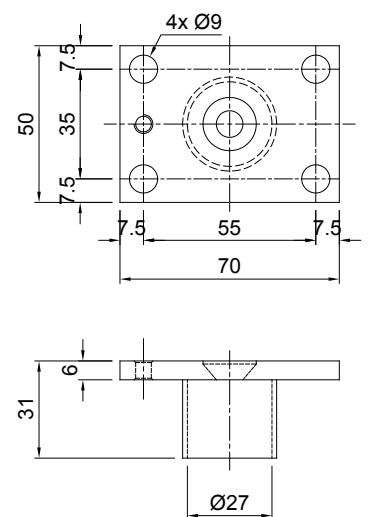
PIATFC



BLOCTFC



PIAGPTFC



Rev. 00 del 12/03/2015

The Company reserves the right to make changes to the technical data, drawings and images without notice.