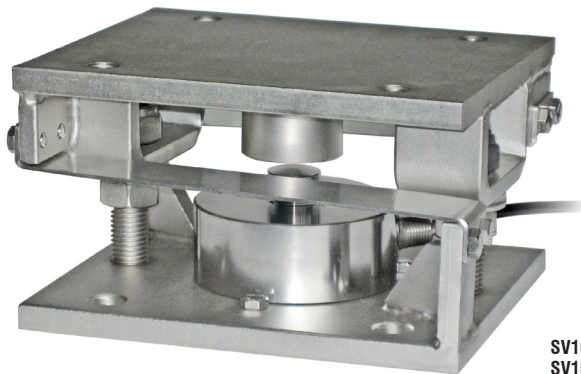


SV Serie

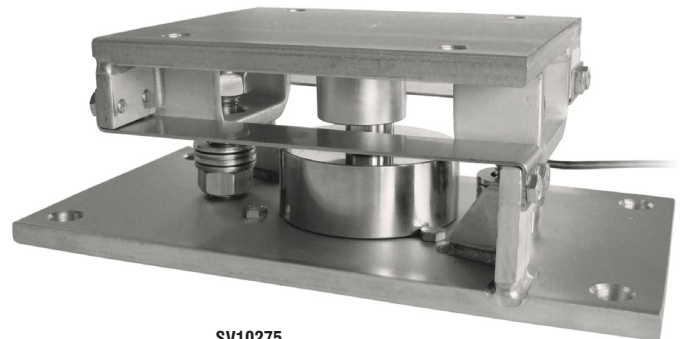
MOUNTING KIT for COMPRESSION-LOW PROFILE load cells



Series load cells: **SCBL - SCBX**
Application range from 250 to 50.000 kg



SV10000
SV15000
SV30000



SV10275

MODEL	FOR LOAD CELLS	NET WEIGHT OF MOUNTING KIT (kg)
SV10.000	SCBL (250 ÷ 12500 kg) - SCBX (15000 kg)	5.7
SV10.275	SCBL (250 ÷ 12500 kg) - SCBX (15000 kg)	6.9
SV15.000	SCBX 30000 kg	5.7
SV30.000	SCBX 50000 kg	6.9

Load cell not included.

DESCRIPTION

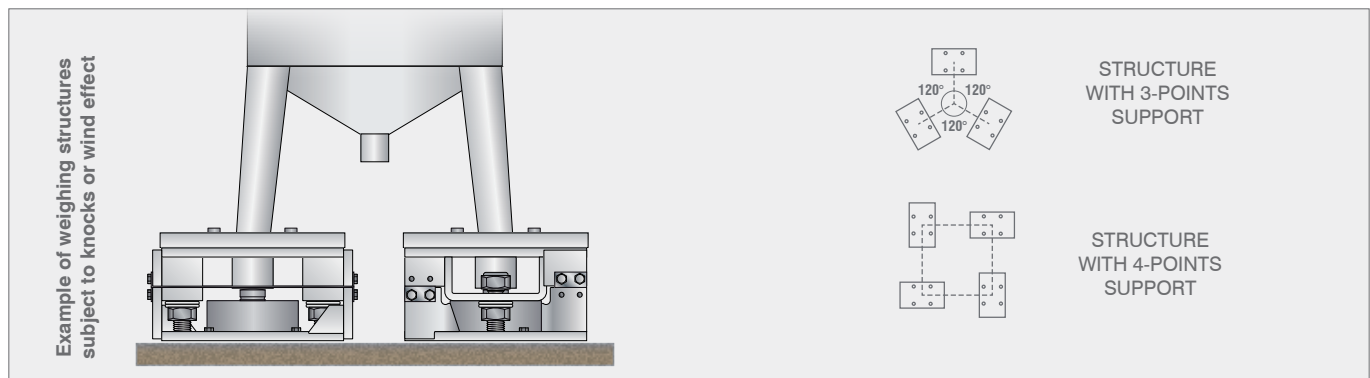
- AISI 304 stainless steel upper and lower plates.
- AISI 304 stainless steel laminas against lateral forces.
- Anti-tilt system consists of two threaded bars with self-locking nut.

SV10000: 6 kg
SV10275: 7 kg
SV15000: 9 kg
SV30000: 17 kg

DIMENSIONS AND TECHNICAL SPECIFICATIONS

Upper and lower plates **2** must rest completely on not deformable surfaces. To ensure the stability of the structure, the system designer must predict any further precaution against side shifts and anti-tilt in function of: knocks and vibrations, wind effect, seismic conditions and hardness of support structure.

- Install the weighed system using only the mounting kit without the load cell **1** and inserting in its place a piece of pipe (1-2 mm higher than the load cell).
- To finish the installation (weldings, etc..), remove the piece of pipe and then removing the bolts to fix the the load cell **7** insert the load cell **1** in mounting kit.
- Connect lower and upper plates **2** to the earthing system then loosen nuts **5**; erify that the threaded bar **4** slides into the hole; turn anti-tilt nuts **6** to a distance of 1 mm from plate.
- Tighten the three bolts to fix the load cell **7**.



Example of weighing structures subject to knocks or wind effect

STRUCTURE WITH 3-POINTS SUPPORT

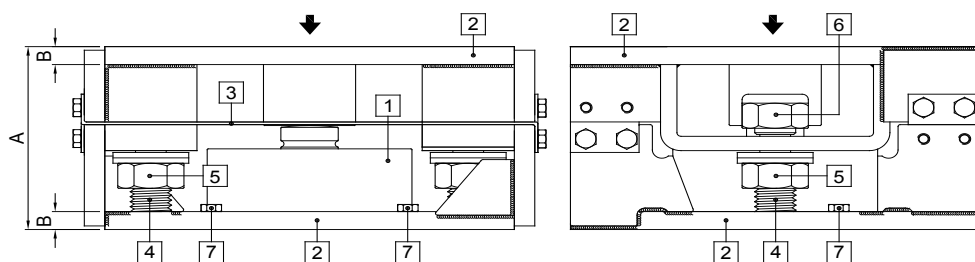
STRUCTURE WITH 4-POINTS SUPPORT

SV Serie

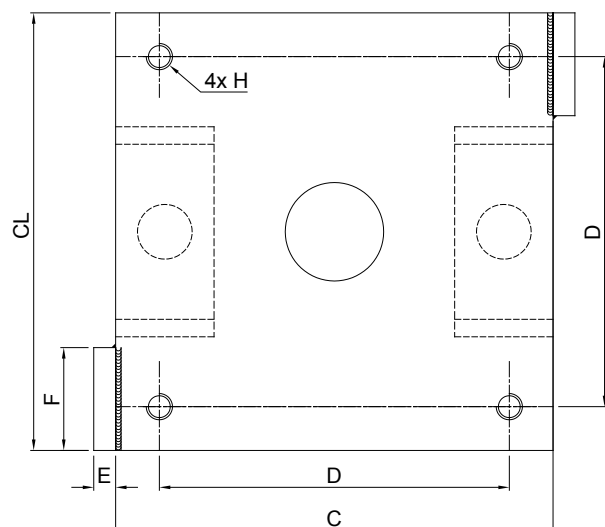
MOUNTING KIT for COMPRESSION-LOW PROFILE load cells



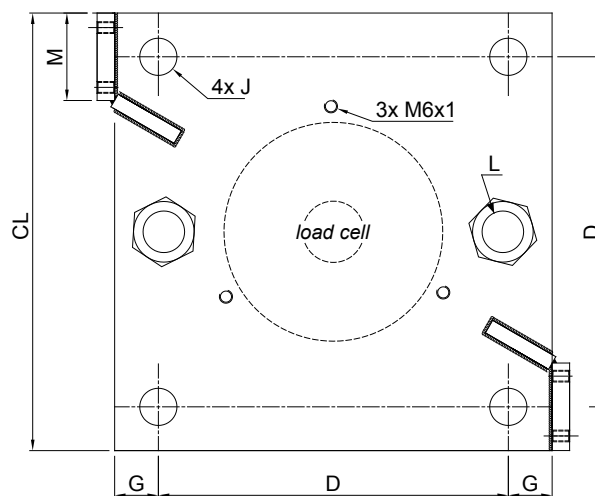
- 1 Load cell.
- 2 AISI 304 stainless steel upper and lower plates.
- 3 AISI 304 stainless steel laminas with horizontal constrainer function.
- 4 Threaded bar.
- 5 Nut to be used as jack.
- 6 Anti-tilt self-locking nut.
- 7 M6 bolts to fix the load cell.



Upper plate



Lower plate



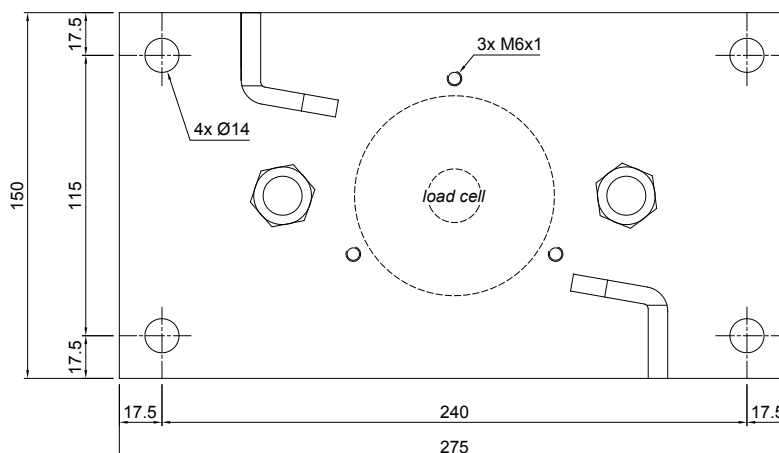
SV10000
SV15000
SV30000

	A	B	C	CL	D	E	F	G	H	J	L	M
SV10.000	95	10	175	150	115	0	0	30	M12x1.75	Ø14	M16x2.0	0
SV15.000	102	10	200	200	160	10	47	20	M12x1.75	Ø17	M20x2.5	50
SV30.000	132	12	250	250	185	12	70	32.5	M18x2.5	Ø20	M24x3	60

Dimensions (mm)

DIMENSIONS LOWER PLATE SV10275

V10275 lower plate



The Company reserves the right to make changes to the technical data, drawings and images without notice.